



Parker Fluid Control Angle Body Valves

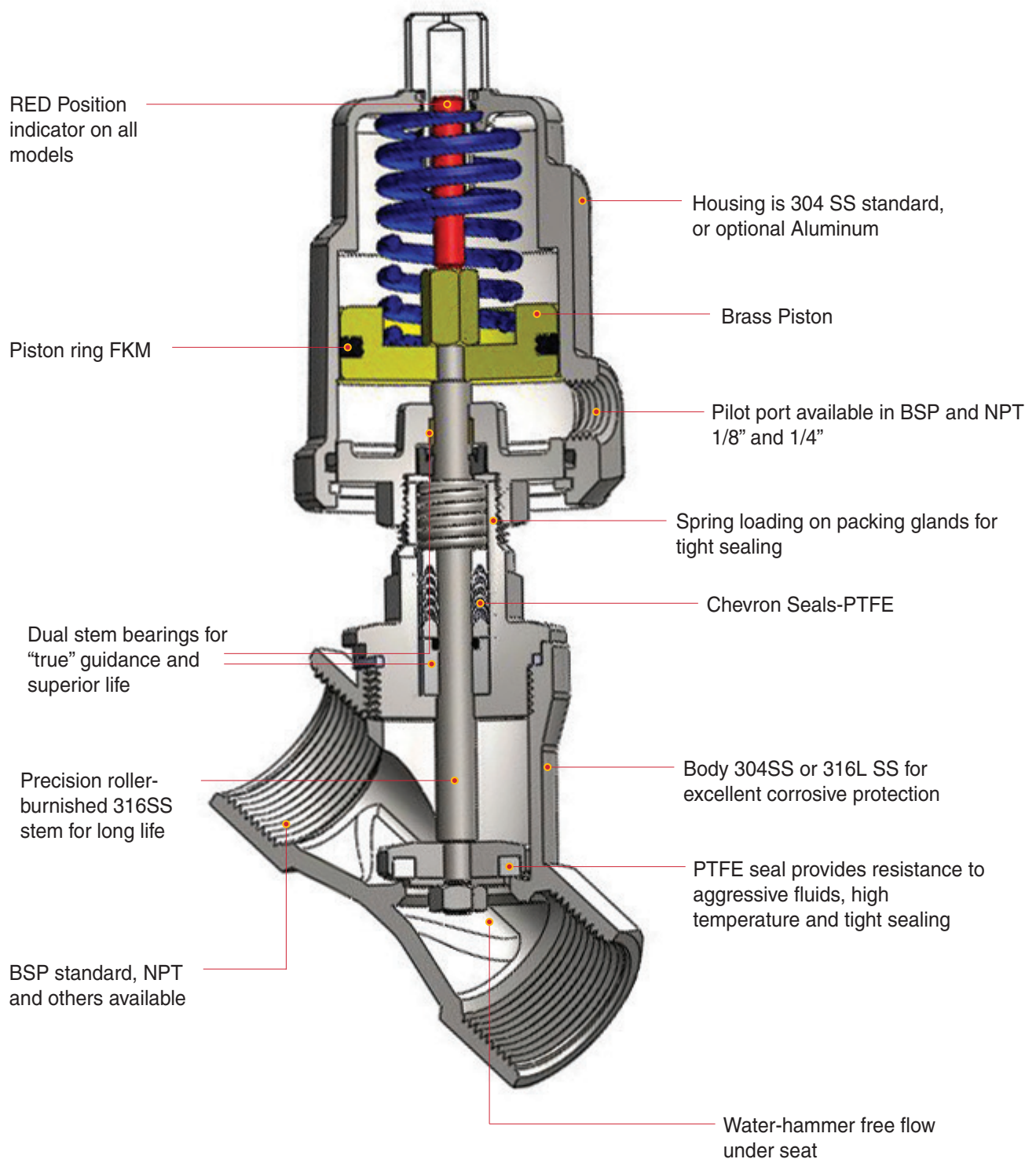
aerospace
climate control
electromechanical
filtration
fluid & gas handling
hydraulics
pneumatics
process control
sealing & shielding



ENGINEERING YOUR SUCCESS.

Angle Body Valve

Key Features



Angle Body Valves

TABLE OF CONTENTS

INDEX.....	1
GENERAL SPECIFICATIONS	2
NORMALLY CLOSED, FLOW OVER THE SEAT	3-6
NORMALLY OPEN, FLOW OVER THE SEAT	7-8
NORMALLY CLOSED, FLOW UNDER THE SEAT, ANTI WATER HAMMER CONSTRUCTION	9-10
NORMALLY OPEN, FLOW UNDER THE SEAT	11-12
NORMALLY CLOSED, COMPACT DESIGN	13-14
NORMALLY OPEN, COMPACT DESIGN	15-16
SERIES PA DRAWINGS AND DIMENSIONS	17-22
NUMBERING SYSTEM	23
SOLENOID VALVES FOR CONTROLLING THE PA ANGLE BODY VALVES	24
3 Way Direct Acting Pilot Control Valves, Banjo Valve	25

WARNING!

FAILURE OR IMPROPER SELECTION OR IMPROPER USE OF THE PRODUCTS AND/OR SYSTEMS DESCRIBED HEREIN OR RELATED ITEMS CAN CAUSE DEATH, PERSONAL INJURY AND PROPERTY DAMAGE.

This document and other information from Parker Hannifin Corporation, its subsidiaries and authorized distributors provide product and/or systems options for further investigation by users having technical expertise. It is important that you analyze all aspects of your application and review the information concerning the product or system in the current product catalog. Due to the variety of operating conditions and applications for these products or systems, the user, through its own analysis and testing, is solely responsible for making the final selection of the products and systems and assuring that all performance, safety and warning requirements of the application are met.

The products described herein, including without limitation, product features, specifications, designs, availability and pricing, are subject to change by Parker Hannifin Corporation and its subsidiaries at anytime without notice.

Introduction

The portfolio is endowed with numerous benefits including:

- A full-line of normally closed and normally open valves ranging in size from 3/8 inch to 2 1/2 inches.
- State of the art performance for long life, ease of service and tighter system integrity.
- Operating pressures up to 16 Bar (232 psi).
- Suitable for temperatures ranging from -10°C to 180°C /14°F to 356°F.
- Handles millions of cycles for high temperature and aggressive media.
- Separate Pilot Valves for both AC & DC requirements.
- Complete line of high temperature watertight coil designs suitable for all pilot control valves.
- Spare Parts Kits are available for main seat replacement.

Angle body valves are suitable for many process & industrial application requirements. Valve applications include but are not limited to the following areas:

- Food and Beverage Processing:
 - Brewery
 - water, steam, pasteurization, glycol solutions for cooling, de-aeration processes, blending, carbonation, thermal processes
 - Bottling & bottle washing equipment
 - "Clean-in-Place" systems
 - Dairy product processing
- Water Technology & Treatment:
 - Filtration technology
 - Pollution control equipment
- Textile Industry:
 - Bleaching, dyeing & drying equipment
 - Steam, water & additives requirements
- Cooling systems on injection molding machines
- Pharmaceutical & cosmetic industry
- Chemical Process technology
- Refrigeration & Cooling heat exchangers
- Sterilizers - steam supply up to 180°C (356°F)
- Water applications: Mining, Cement / Concrete Systems, Pulp & Paper
- General industrial applications of aggressive fluids with stainless materials
- Industrial Laundry Equipment
- Industrial Air Dryers

Series PA - 2/2 - Way Angle Body Valves

3/8" to 2 1/2" BSP 16 Bar, 232 psi



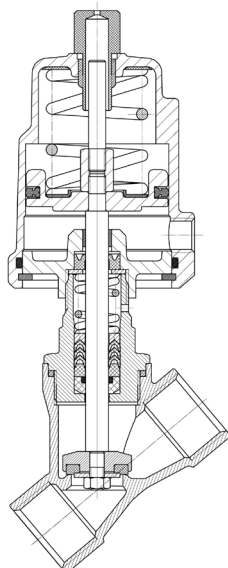
VALVE FEATURES

- Compact design, high flow rates
- Visual position indicator standard
- For temperatures from 14°F to 356°F / -10°C to 180°C
- Working pressures up to 16 Bar, 232 psi
- Dampened closing anti-water hammer design (fluid under seat)
- Metal actuator housing for exceptional durability in steam & mildly aggressive applications
- Valves satisfy the Pressure Equipment Directive 97/23/EC
- Mountable in any position
- Tight shut-off and Long Service Life
- Valve seats and seal components fully repairable

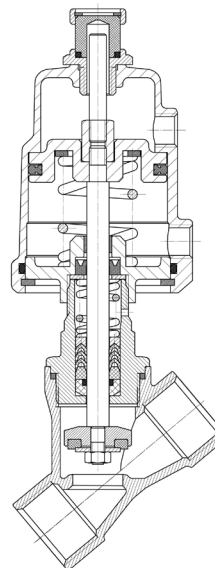
Technical Specifications:

Body Material	304 SS or 316 SS
Function	2/2 NC, NO, NC(antiwater hammer), double acting (with spring)
Nominal sizes	DN10-DN65, 3/8" to 2 1/2"
Connections	Threads- BSP,BSPT,NPT,NPTF Welded- ISO1127/4200, DIN 11850.1, DIN 11850.2, DIN 11850.3, SMS3008, ASME BPE
	Flanges
Max Working Pressure	16 BAR, 232 PSI
Differential Pressure	See Specification Charts
Pilot Pressure	3 Bar to 10 Bar. 43.5 PSI to 145 PSI
Actuator Material	304 SS, or Aluminum
Maximum Fluid Temp	-10°C to 180°C, 14°F to 356°F
Optional	
Ambient Temperature	-10°C to 60°C, 14°F to 140°F
Seat Seal material	PTFE/RTFE
Packing Gland	PTFE. PTFE and Carbon
Viscosity	Maximum 600mm ² /s(600cSt, 80° E, 2700 SSU
Vacuum	maximum 0.0295 mercury (Hg)
Leakage	ANSI Class VI shutoff
Installation	Any Position
Optical Position Indicator	Standard on all sizes
Pilot Control Media	Air, Neutral Gas, Water
Fluids handled	Inert gases, hot water, oils, steam, aggressive and corrosive fluids
Pilot Port Size	1/8" for 32,40,50, & 63 mm actuators, 1/4" for 80, 100 mm actuators

Normally Closed Valve



Normally Open Valve



SERIES PA - NORMALLY CLOSED VALVES - FLOW DIRECTION OVER SEAT

Model Numbers Shown are BSP threads



304 Stainless Steel Actuators with 304 Stainless Steel Bodies

Size	Port size	Orifice (mm)	Actuator (mm)	Kv (m ³ /h)	Operating Pressure Differential		Pilot Control Pressure Range		Model Number	Net Weight kgs
					Bar	PSI	Bar	PSI		
DN10	3/8"	13	40	4.7	0-16	0-232	4-10	58-145	PA10S1G3S040S	0.78
			50	4.7	0-16	0-232	3-10	44-145	PA10S1G3S050S	1.01
DN15	1/2"	13	40	4.7	0-16	0-232	4-10	58-145	PA15S1G4S040S	0.80
			50	4.7	0-16	0-232	3-10	44-145	PA15S1G4S050S	1.03
DN20	3/4"	18	50	9.5	0-16	0-232	3-4	44-58	PA20S1G5S050S	1.06
DN25	1"	24	50	18.1	0-16	0-232	3-5.5	44-80	PA25S1G6S050S	1.38
			63	18.1	0-16	0-232	3-3.5	44-51	PA25S1G6S063S	2.05
DN32	1-1/4"	31	63	23.1	0-16	0-232	3-5	44-73	PA32S1G7S063S	2.40
DN40	1-1/2"	35	63	32.9	0-16	0-232	3-6	44-87	PA40S1G8S063S	2.75
DN50	2"	45	63	52.8	0-10	0-145	3-6.5	44-95	PA50S1G9S063S	3.50
			80	52.8	0-16	0-232	3-6.6	44-96	PA50S1G9S080S	4.62
			100	52.8	0-16	0-232	3-5	44-73	PA50S1G9S100S	5.16
DN65	2-1/2"	65	100	82	0-10	0-145	3-6	44-87	PA65S1GTS100S	8.65

For NPT porting, change "G" to "N" in 7th position

To obtain Cv multiply Kv by 1.16

To obtain lbs., multiply kgs by 2.2

304 Stainless Steel Actuators with 316L Stainless Steel Bodies

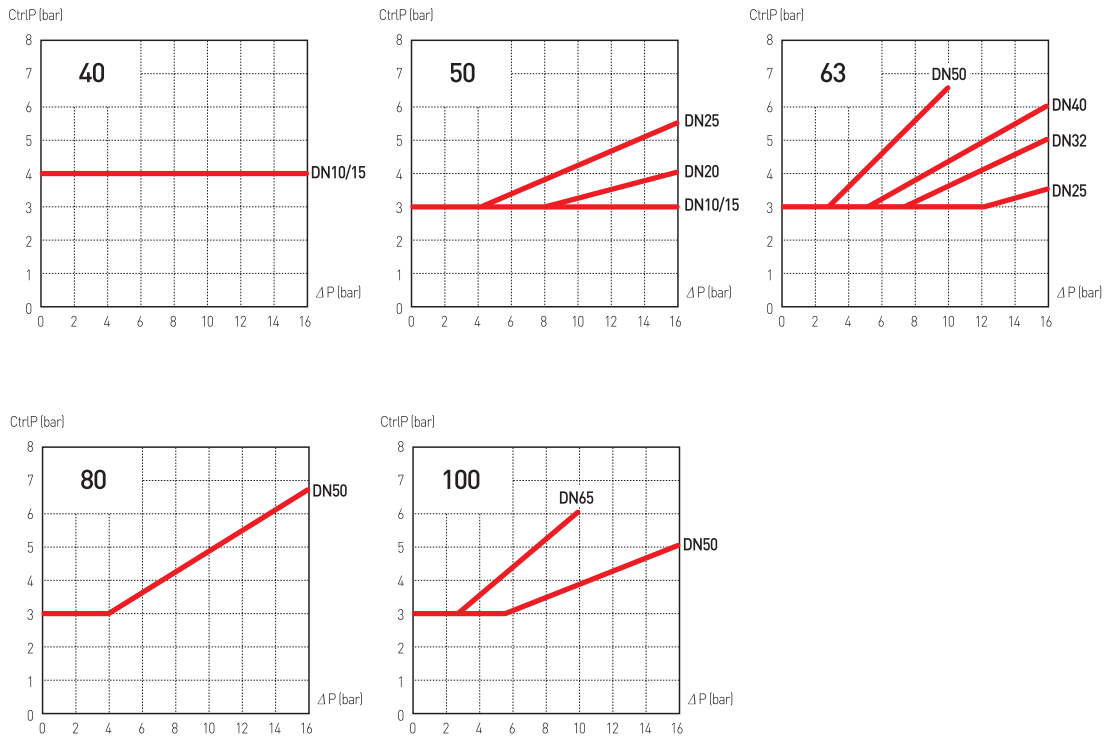
Size	Port size	Orifice (mm)	Actuator (mm)	Kv (m ³ /h)	Operating Pressure Differential		Pilot Control Pressure Range		Model Number	Net Weight kgs
					Bar	PSI	Bar	PSI		
DN10	3/8"	13	40	4.7	0-16	0-232	4-10	58-145	PA10S1G3R040S	0.78
			50	4.7	0-16	0-232	3-10	44-145	PA10S1G3R050S	1.01
DN15	1/2"	13	40	4.7	0-16	0-232	4-10	58-145	PA15S1G4R040S	0.80
			50	4.7	0-16	0-232	3-10	44-145	PA15S1G4R050S	1.03
DN20	3/4"	18	50	9.5	0-16	0-232	3-4	44-58	PA20S1G5R050S	1.06
DN25	1"	24	50	18.1	0-16	0-232	3-5.5	44-80	PA25S1G6R050S	1.38
			63	18.1	0-16	0-232	3-3.5	44-51	PA25S1G6R063S	2.05
DN32	1-1/4"	31	63	23.1	0-16	0-232	3-5	44-73	PA32S1G7R063S	2.40
DN40	1-1/2"	35	63	32.9	0-16	0-232	3-6	44-87	PA40S1G8R063S	2.75
DN50	2"	45	63	52.8	0-10	0-145	3-6.5	44-95	PA50S1G9R063S	3.50
			80	52.8	0-16	0-232	3-6.6	44-96	PA50S1G9R080S	4.62
			100	52.8	0-16	0-232	3-5	44-73	PA50S1G9R100S	5.16
DN65	2-1/2"	65	100	82	0-10	0-145	3-6	44-87	PA65S1GTR100S	8.65

For NPT porting, change "G" to "N" in 7th position

To obtain Cv multiply Kv by 1.16

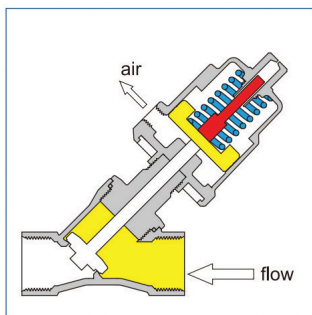
To obtain lbs., multiply kgs by 2.2

Control Pressure & Operating Pressure Charts for the Normally Closed valves with 304 SS actuators

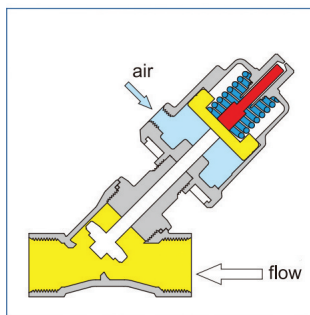


Flow Charts

Normally Closed Valve



Normally Open Valve



SERIES PA - NORMALLY CLOSED VALVES - FLOW DIRECTION OVER SEAT

Model Numbers Shown are BSP threads



Aluminum Actuator with 304 Stainless Steel Bodies

Size	Port size	Orifice (mm)	Actuator (mm)	Kv (m ³ /h)	Operating Pressure Differential		Pilot Control Pressure Range		Model Number	Net Weight kgs
					Bar	PSI	Bar	PSI		
DN10	3/8"	13	50	4.7	0-16	0-232	3-10	44-145	PA10S1G3S050A	0.75
DN15	1/2"	13	50	4.7	0-16	0-232	3-10	44-145	PA15S1G4S050A	0.80
DN20	3/4"	18	50	9.5	0-16	0-232	3-4	44-58	PA20S1G5S050A	0.90
DN25	1"	24	50	18.1	0-16	0-232	3-5.5	44-80	PA25S1G6S050A	1.27
			63	18.1	0-16	0-232	3-4	44-58	PA25S1G6S063A	1.65
DN32	1-1/4"	31	63	23.1	0-16	0-232	3-5.5	44-80	PA32S1G7S063A	1.89
DN40	1-1/2"	35	63	32.9	0-16	0-232	3-6.5	44-95	PA40S1G8S063A	2.15
DN50	2"	45	63	52.8	0-10	0-145	3-6.5	44-95	PA50S1G9S063A	2.98
			80	52.8	0-16	0-232	3-6.6	44-96	PA50S1G9S080A	3.56
			100	52.8	0-16	0-232	3-5	44-73	PA50S1G9S100A	4.75
DN65	2-1/2"	65	100	82	0-10	0-145	3-6	44-87	PA65S1GTS100A	5.50

For NPT porting, change "G" to "N" in 7th position

To obtain Cv multiply Kv by 1.16

To obtain lbs., multiply kgs by 2.2

Aluminum Actuator with 316L Stainless Steel Bodies

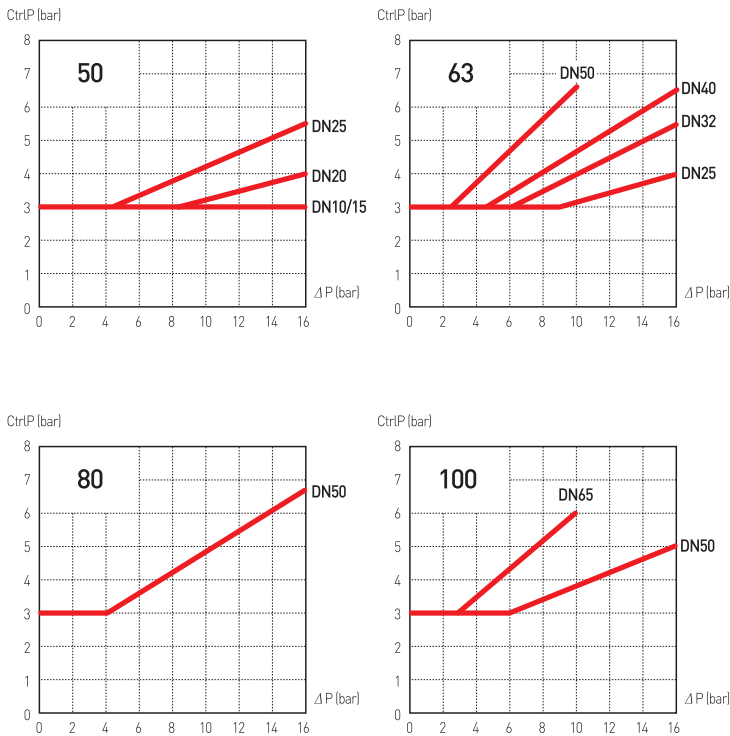
Size	Port size	Orifice (mm)	Actuator (mm)	Kv (m ³ /h)	Operating Pressure Differential		Pilot Control Pressure Range		Model Number	Net Weight kgs
					Bar	PSI	Bar	PSI		
DN10	3/8"	13	50	4.7	0-16	0-232	3-10	44-145	PA10S1G3R050A	0.75
DN15	1/2"	13	50	4.7	0-16	0-232	3-10	44-145	PA15S1G4R050A	0.80
DN20	3/4"	18	50	9.5	0-16	0-232	3-4	44-58	PA20S1G5R050A	0.90
DN25	1"	24	50	18.1	0-16	0-232	3-5.5	44-80	PA25S1G6R050A	1.27
			63	18.1	0-16	0-232	3-4	44-58	PA25S1G6R063A	1.65
DN32	1-1/4"	31	63	23.1	0-16	0-232	3-5.5	44-80	PA32S1G7R063A	1.89
DN40	1-1/2"	35	63	32.9	0-16	0-232	3-6.5	44-95	PA40S1G8R063A	2.15
DN50	2"	45	63	52.8	0-10	0-145	3-6.5	44-95	PA50S1G9R063A	2.98
			80	52.8	0-16	0-232	3-6.6	44-96	PA50S1G9R080A	3.56
			100	52.8	0-16	0-232	3-5	44-73	PA50S1G9R100A	4.75
DN65	2-1/2"	65	100	82	0-10	0-145	3-6	44-87	PA65S1GTR100A	5.50

For NPT porting, change "G" to "N" in 7th position

To obtain Cv multiply Kv by 1.16

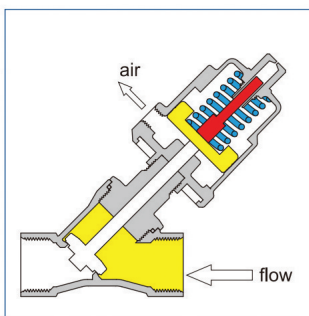
To obtain lbs., multiply kgs by 2.2

Control Pressure & Operating Pressure Charts for the Normally Closed valves with aluminum actuators

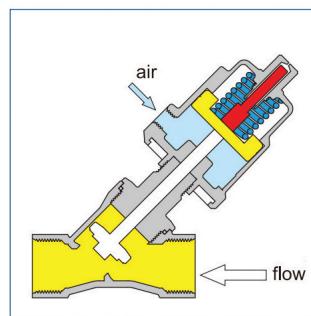


Flow Charts

Normally Closed Valve



Normally Open Valve



SERIES PA - NORMALLY OPEN VALVES - FLOW DIRECTION OVER SEAT

Model Numbers Shown are BSP threads



304 Stainless Steel Actuators with 304 Stainless Steel Bodies

Size	Port size	Orifice (mm)	Actuator (mm)	Kv (m ³ /h)	Operating Pressure Differential		Pilot Control Pressure Range		Model Number	Net Weight kgs
					Bar	PSI	Bar	PSI		
DN10	3/8"	13	50	4.7	0-16	0-232	3.5-10	51-145	PA10S2G3S050S	1.0
DN15	1/2"	13	50	4.7	0-16	0-232	3.5-10	51-145	PA15S2G4S050S	1.03
DN20	3/4"	18	50	9.5	0-16	0-232	3.5-10	51-145	PA20S2G5S050S	1.06
DN25	1"	24	63	18.1	0-16	0-232	4.5-10	66-145	PA25S2G6S063S	2.05
DN32	1-1/4"	31	63	23.1	0-14	0-203	4.5-10	66-145	PA32S2G7S063S	2.40
DN40	1-1/2"	35	63	32.9	0-11	0-160	4.5-10	66-145	PA40S2G8S063S	2.75
DN50	2"	45	63	52.8	0-6	0-87	5-10	73-145	PA50S2G9S063S	3.50
			80	52.8	0-12	0-174	5-10	73-145	PA50S2G9S080S	4.62

For NPT porting, change "G" to "N" in 7th position

To obtain Cv multiply Kv by 1.16

To obtain lbs., multiply kgs by 2.2

304 Stainless Steel Actuators with 316L Stainless Steel Bodies

Size	Port size	Orifice (mm)	Actuator (mm)	Kv (m ³ /h)	Operating Pressure Differential		Pilot Control Pressure Range		Model Number	Net Weight kgs
					Bar	PSI	Bar	PSI		
DN10	3/8"	13	50	4.7	0-16	0-232	3.5-10	51-145	PA10S2G3R050S	1.0
DN15	1/2"	13	50	4.7	0-16	0-232	3.5-10	51-145	PA15S2G4R050S	1.03
DN20	3/4"	18	50	9.5	0-16	0-232	3.5-10	51-145	PA20S2G5R050S	1.06
DN25	1"	24	63	18.1	0-16	0-232	4.5-10	66-145	PA25S2G6R063S	2.05
DN32	1-1/4"	31	63	23.1	0-14	0-203	4.5-10	66-145	PA32S2G7R063S	2.40
DN40	1-1/2"	35	63	32.9	0-11	0-160	4.5-10	66-145	PA40S2G8R063S	2.75
DN50	2"	45	63	52.8	0-6	0-87	5-10	73-145	PA50S2G9R063S	3.50
			80	52.8	0-12	0-174	5-10	73-145	PA50S2G9R080S	4.62

For NPT porting, change "G" to "N" in 7th position

To obtain Cv multiply Kv by 1.16

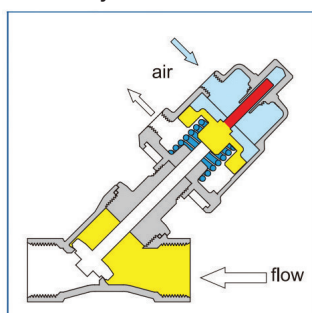
To obtain lbs., multiply kgs by 2.2

Control Pressure & Operating Pressure

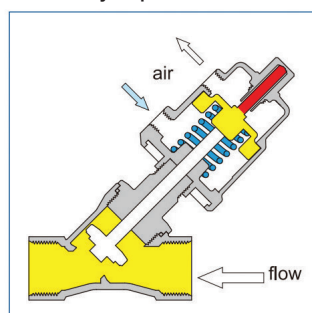
Charts do not apply for Normally Open valves. A minimum pressure as noted above is all that is required, up to the maximum listed.

Flow Charts

Normally Closed Valve



Normally Open Valve



SERIES PA - NORMALLY OPEN VALVES - FLOW DIRECTION OVER SEAT

Model Numbers Shown are BSP threads



Aluminum Actuators with 304 Stainless Steel Bodies

Size	Port size	Orifice (mm)	Actuator (mm)	Kv (m ³ /h)	Operating Pressure Differential		Pilot Control Pressure Range		Model Number	Net Weight kgs
					Bar	PSI	Bar	PSI		
DN10	3/8"	13	50	4.7	0-16	0-232	3.5 -10	51-145	PA10S2G3S050A	
DN15	1/2"	13	50	4.7	0-16	0-232	3.5 -10	51-145	PA15S2G4S050A	
DN20	3/4"	18	50	9.5	0-16	0-232	3.5 -10	51-145	PA20S2G5S050A	
DN25	1"	24	63	18.1	0-16	0-232	4.5 -10	66-145	PA25S2G6S063A	
DN32	1-1/4"	31	63	23.1	0-14	0-232	4.5 -10	44-145	PA32S2G7S063A	
DN40	1-1/2"	35	63	32.9	0-11	0-232	4.5 -10	44-145	PA40S2G8S063A	
DN50	2"	45	63	52.8	0-6	0-87	5.0 -10	44-145	PA50S2G9S063A	
			80	52.8	0-12	0-174	5.0 -10	44-145	PA50S2G9S080A	

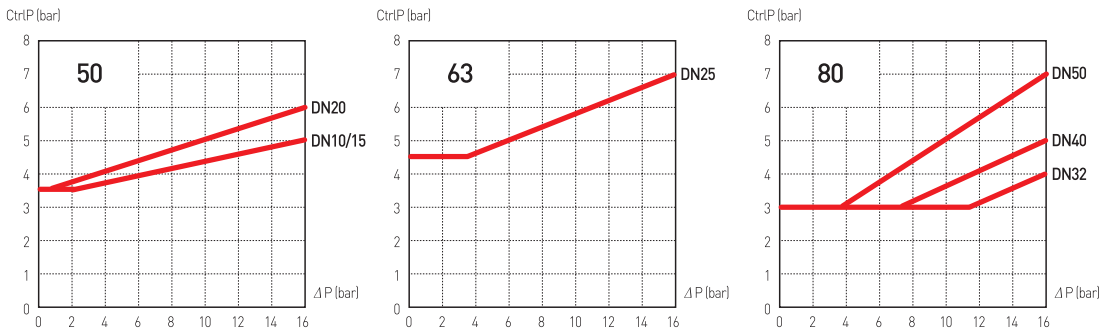
For NPT porting, change "G" to "N" in 7th position To obtain Cv multiply Kv by 1.16 To obtain lbs., multiply Kgs by 2.2

Aluminum Actuators with 316L Stainless Steel Bodies

Size	Port size	Orifice (mm)	Actuator (mm)	Kv (m ³ /h)	Operating Pressure Differential		Pilot Control Pressure Range		Model Number	Net Weight kgs
					Bar	PSI	Bar	PSI		
DN10	3/8"	13	50	4.7	0-16	0-232	3.5 -10	51-145	PA10S2G3R050A	
DN15	1/2"	13	50	4.7	0-16	0-232	3.5 -10	51-145	PA15S2G4R050A	
DN20	3/4"	18	50	9.5	0-16	0-232	3.5 -10	51-145	PA20S2G5R050A	
DN25	1"	24	63	18.1	0-16	0-232	4.5 -10	66-145	PA25S2G6R063A	
DN32	1-1/4"	31	63	23.1	0-14	0-232	4.5 -10	44-145	PA32S2G7R063A	
DN40	1-1/2"	35	63	32.9	0-11	0-232	4.5 -10	44-145	PA40S2G8R063A	
DN50	2"	45	63	52.8	0-6	0-87	5.0 -10	44-145	PA50S2G9R063A	
			80	52.8	0-12	0-174	5.0 -10	44-145	PA50S2G9R080A	

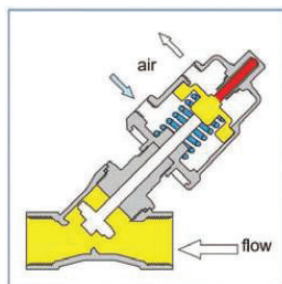
For NPT porting, change "G" to "N" in 7th position To obtain Cv multiply Kv by 1.16 To obtain lbs., multiply Kgs by 2.2

Control Pressure & Operating Pressure

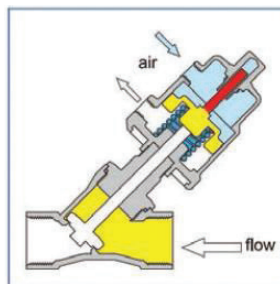


Flow Charts

Valve Open



Valve Closed



SERIES PA - NORMALLY CLOSED VALVES - FLOW DIRECTION UNDER SEAT

ANTI WATER HAMMER CONSTRUCTION

Model Numbers Shown are BSP threads



304 Stainless Steel Actuators with 304 Stainless Steel Bodies

Size	Port size	Orifice (mm)	Actuator (mm)	Kv (m ³ /h)	Operating Pressure Differential		Pilot Control Pressure Range		Model Number	Net Weight kgs
					Bar	PSI	Bar	PSI		
DN10	3/8"	13	50	4.7	0-16	0-232	4.5-10	66-145	PA10SAG3S050S	1.01
DN15	1/2"	13	50	4.7	0-16	0-232	4.5-10	66-145	PA15SAG4S050S	1.03
DN20	3/4"	18	50	9.5	0-10	0-145	4.5-10	66-145	PA20SAG5S050S	1.06
DN25	1"	24	63	18.1	0-8	0-116	4.5-10	66-145	PA25SAG6S063S	2.05
DN32	1-1/4"	31	80	23.1	0-11	0-160	4-10	58-145	PA32SAG7S080S	3.82
DN40	1-1/2"	35	80	32.9	0-8	0-116	4-10	58-145	PA40SAG8S080S	4.07
			100	32.9	0-16	0-232	4-10	58-145	PA40SAG8S100S	4.61
DN50	2"	45	100	52.8	0-9	0-131	4-10	58-145	PA50SAG9S100S	5.16

For NPT porting, change "G" to "N" in 7th position

To obtain Cv multiply Kv by 1.16

To obtain lbs., multiply kgs by 2.2

304 Stainless Steel Actuators with 316L Stainless Steel Bodies

Size	Port size	Orifice (mm)	Actuator (mm)	Kv (m ³ /h)	Operating Pressure Differential		Pilot Control Pressure Range		Model Number	Net Weight kgs
					Bar	PSI	Bar	PSI		
DN10	3/8"	13	50	4.7	0-16	0-232	4.5-10	66-145	PA10SAG3R050S	1.01
DN15	1/2"	13	50	4.7	0-16	0-232	4.5-10	66-145	PA15SAG4R050S	1.03
DN20	3/4"	18	50	9.5	0-10	0-145	4.5-10	66-145	PA20SAG5R050S	1.06
DN25	1"	24	63	18.1	0-8	0-116	4.5-10	66-145	PA25SAG6R063S	2.05
DN32	1-1/4"	31	80	23.1	0-11	0-160	4-10	58-145	PA32SAG7R080S	3.82
DN40	1-1/2"	35	80	32.9	0-8	0-116	4-10	58-145	PA40SAG8R080S	4.07
			100	32.9	0-16	0-232	4-10	58-145	PA40SAG8R100S	4.61
DN50	2"	45	100	52.8	0-9	0-131	4-10	58-145	PA50SAG9R100S	5.16

For NPT porting, change "G" to "N" in 7th position

To obtain Cv multiply Kv by 1.16

To obtain lbs., multiply kgs by 2.2

Aluminum Actuator with 304 Stainless Steel Bodies

Size	Port size	Orifice (mm)	Actuator (mm)	Kv (m ³ /h)	Operating Pressure Differential		Pilot Control Pressure Range		Model Number	Net Weight kgs
					Bar	PSI	Bar	PSI		
DN10	3/8"	13	50	4.7	0-16	0-232	4.5-10	66-145	PA10SAG3S050A	0.75
DN15	1/2"	13	50	4.7	0-16	0-232	4.5-10	66-145	PA15SAG4S050A	0.80
DN20	3/4"	18	50	9.5	0-10	0-145	4.5-10	66-145	PA20SAG5S050A	0.90
DN25	1"	24	63	18.1	0-8	0-116	4.5-10	66-145	PA25SAG6S063A	1.65
DN32	1-1/4"	31	80	23.1	0-11	0-160	4-10	58-145	PA32SAG7S080A	2.80
DN40	1-1/2"	35	80	32.9	0-8	0-116	4-10	58-145	PA40SAG8S080A	3.10
			100	32.9	0-16	0-232	4-10	58-145	PA40SAG8S100A	4.15
DN50	2"	45	100	52.8	0-9	0-131	4-10	58-145	PA50SAG9S100A	4.75

For NPT porting, change "G" to "N" in 7th position

To obtain Cv multiply Kv by 1.16

To obtain lbs., multiply kgs by 2.2

SERIES PA - NORMALLY CLOSED VALVES - FLOW DIRECTION UNDER SEAT

ANTI WATER HAMMER CONSTRUCTION

Model Numbers Shown are BSP threads



Aluminum Actuator with 316L Stainless Steel Bodies

Size	Port size	Orifice (mm)	Actuator (mm)	Kv (m ³ /h)	Operating Pressure Differential		Pilot Control Pressure Range		Model Number	Net Weight kgs
					Bar	PSI	Bar	PSI		
DN10	3/8"	13	50	4.7	0-16	0-232	4.5-10	66-145	PA10SAG3R050A	0.75
DN15	1/2"	13	50	4.7	0-16	0-232	4.5-10	66-145	PA15SAG4R050A	0.80
DN20	3/4"	18	50	9.5	0-10	0-145	4.5-10	66-145	PA20SAG5R050A	0.90
DN25	1"	24	63	18.1	0-8	0-116	4.5-10	66-145	PA25SAG6R063A	1.65
DN32	1-1/4"	31	80	23.1	0-11	0-160	4-10	58-145	PA32SAG7R080A	2.80
			100	32.9	0-8	0-116	4-10	58-145	PA40SAG8R080A	3.10
DN40	1-1/2"	35	100	32.9	0-16	0-232	4-10	58-145	PA40SAG8R100A	4.15
DN50	2"	45	100	52.8	0-9	0-131	4-10	58-145	PA50SAG9R100A	4.75

For NPT porting, change "G" to "N" in 7th position

To obtain Cv multiply Kv by 1.16

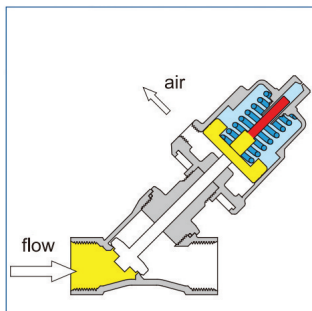
To obtain lbs., multiply kgs by 2.2

Control Pressure & Operating Pressure

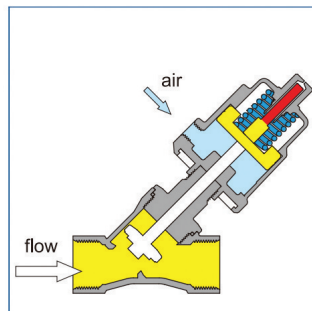
Charts do not apply for Anti Water Hammer valves. A minimum pressure as noted above is all that is required, up to the maximum listed.

Flow Charts

Normally Closed Valve



Normally Open Valve



SERIES PA - NORMALLY OPEN VALVES - FLOW DIRECTION UNDER SEAT

Model Numbers Shown are BSP threads



304 Stainless Steel Actuators with 304 Stainless Steel Bodies

Size	Port size	Orifice (mm)	Actuator (mm)	Kv (m ³ /h)	Operating Pressure Differential		Pilot Control Pressure Range		Model Number	Net Weight kgs
					Bar	PSI	Bar	PSI		
DN10	3/8"	13	50	4.7	0-16	0-232	3.5 -10	51-145	PA10S3G3S050S	1.01
DN15	1/2"	13	50	4.7	0-16	0-232	3.5 -10	51-145	PA15S3G4S050S	1.03
DN20	3/4"	18	50	9.5	0-16	0-232	3.5 -10	51-145	PA20S3G5S050S	1.06
DN25	1"	24	63	15.5	0-16	0-232	4.5 -10	66-145	PA25S3G6S063S	2.05
DN32	1-1/4"	31	80	23.1	0-16	0-232	3.0 -10	44-145	PA32S3G7S080S	3.80
DN40	1-1/2"	35	80	31	0-16	0-232	3.0 -10	44-145	PA40S3G8S080S	4.05
DN50	2"	45	80	50	0-16	0-232	3.0 -10	44-145	PA50S3G9S080S	4.62

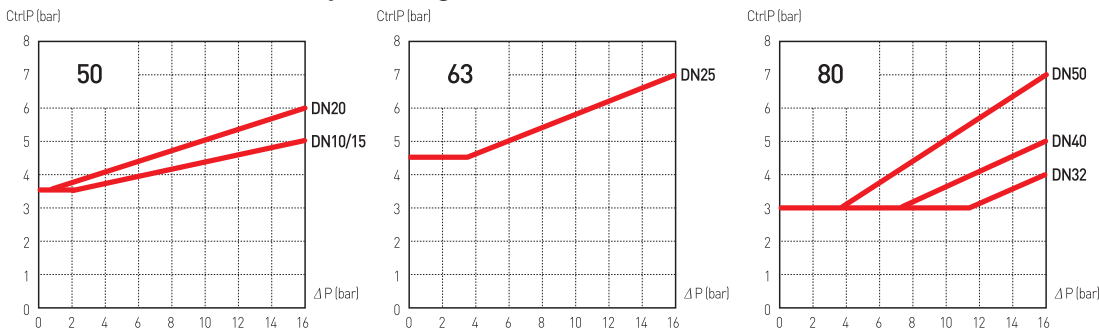
For NPT porting, change "G" to "N" in 7th position To obtain Cv multiply Kv by 1.16 To obtain lbs., multiply Kgs by 2.2

304 Stainless Steel Actuators with 316L Stainless Steel Bodies

Size	Port size	Orifice (mm)	Actuator (mm)	Kv (m ³ /h)	Operating Pressure Differential		Pilot Control Pressure Range		Model Number	Net Weight kgs
					Bar	PSI	Bar	PSI		
DN10	3/8"	13	50	4.7	0-16	0-232	3.5 -10	51-145	PA10S3G3R050S	1.01
DN15	1/2"	13	50	4.7	0-16	0-232	3.5 -10	51-145	PA15S3G4R050S	1.03
DN20	3/4"	18	50	9.5	0-16	0-232	3.5 -10	51-145	PA20S3G5R050S	1.06
DN25	1"	24	63	18.1	0-16	0-232	4.5 -10	66-145	PA25S3G6R063S	2.05
DN32	1-1/4"	31	80	23.1	0-16	0-232	3.0 -10	44-145	PA32S3G7R080S	3.80
DN40	1-1/2"	35	80	31	0-16	0-232	3.0 -10	44-145	PA40S3G8R080S	4.05
DN50	2"	45	80	50	0-16	0-232	3.0 -10	44-145	PA50S3G9R080S	4.62

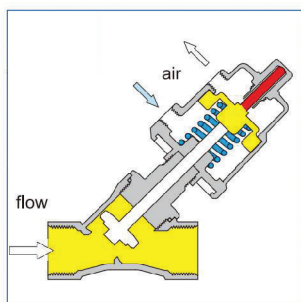
For NPT porting, change "G" to "N" in 7th position To obtain Cv multiply Kv by 1.16 To obtain lbs., multiply Kgs by 2.2

Control Pressure & Operating Pressure

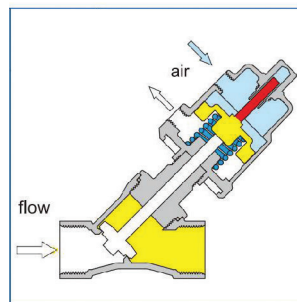


Flow Charts

Valve Open



Valve Closed



SERIES PA - NORMALLY OPEN VALVES - FLOW DIRECTION UNDER SEAT

Model Numbers Shown are BSP threads



Aluminum Actuators with 304 Stainless Steel Bodies

Size	Port size	Orifice (mm)	Actuator (mm)	Kv (m ³ /h)	Operating Pressure Differential		Pilot Control Pressure Range		Model Number	Net Weight kgs
					Bar	PSI	Bar	PSI		
DN10	3/8"	13	50	4.7	0-16	0-232	3.5 -10	51-145	PA10S3G3S050A	0.88
DN15	1/2"	13	50	4.7	0-16	0-232	3.5 -10	51-145	PA15S3G4S050A	0.90
DN20	3/4"	18	50	9.5	0-16	0-232	3.5 -10	51-145	PA20S3G5S050A	1.00
DN25	1"	24	63	15.5	0-16	0-232	4.5 -10	66-145	PA25S3G6S063A	1.70
DN32	1-1/4"	31	80	23.1	0-16	0-232	3.0 -10	44-145	PA32S3G7S080A	2.90
DN40	1-1/2"	35	80	31	0-16	0-232	3.0 -10	44-145	PA40S3G8S080A	3.19
DN50	2"	45	80	50	0-16	0-232	3.0 -10	44-145	PA50S3G9S080A	3.95

For NPT porting, change "G" to "N" in 7th position

To obtain Cv multiply Kv by 1.16

To obtain lbs., multiply Kgs by 2.2

Aluminum Actuators with 316L Stainless Steel Bodies

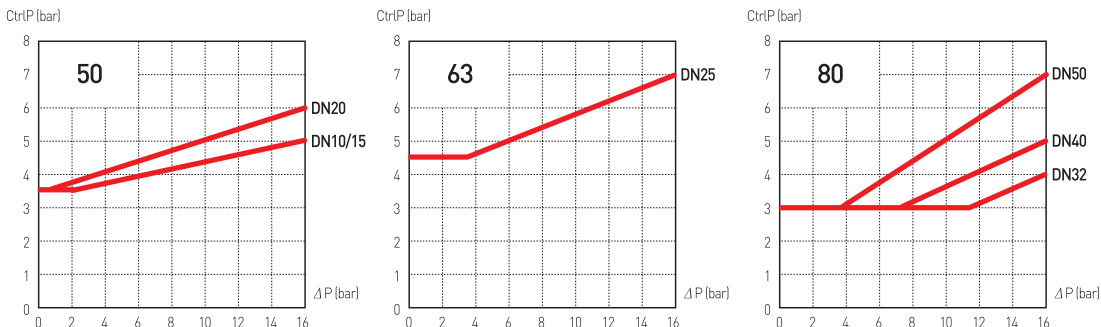
Size	Port size	Orifice (mm)	Actuator (mm)	Kv (m ³ /h)	Operating Pressure Differential		Pilot Control Pressure Range		Model Number	Net Weight kgs
					Bar	PSI	Bar	PSI		
DN10	3/8"	13	50	4.7	0-16	0-232	3.5 -10	51-145	PA10S3G3R050A	0.88
DN15	1/2"	13	50	4.7	0-16	0-232	3.5 -10	51-145	PA15S3G4R050A	0.90
DN20	3/4"	18	50	9.5	0-16	0-232	3.5 -10	51-145	PA20S3G5R050A	1.01
DN25	1"	24	63	15.5	0-16	0-232	4.5 -10	66-145	PA25S3G6R063A	1.70
DN32	1-1/4"	31	80	23.1	0-16	0-232	3.0 -10	44-145	PA32S3G7R080A	2.91
DN40	1-1/2"	35	80	31	0-16	0-232	3.0 -10	44-145	PA40S3G8R080A	3.20
DN50	2"	45	80	50	0-16	0-232	3.0 -10	44-145	PA50S3G9R080A	3.98

For NPT porting, change "G" to "N" in 7th position

To obtain Cv multiply Kv by 1.16

To obtain lbs., multiply Kgs by 2.2

Control Pressure & Operating Pressure



SERIES PA - COMPACT DESIGN NORMALLY CLOSED VALVES FLOW DIRECTION OVER SEAT

Media Temperature -10~100°C
Model Numbers Shown are BSP threads



304 Stainless Steel Actuators with 304 Stainless Steel Bodies

Size	Port size	Orifice (mm)	Actuator (mm)	Kv (m ³ /h)	Operating Pressure Differential		Pilot Control Pressure Range		Model Number	Net Weight kgs
					Bar	PSI	Bar	PSI		
DN10	3/8"	13	32	4.7	0-16	0-232	4.5-6	66-87	PA10C3G3S032S	0.58
DN15	1/2"	13	32	4.7	0-16	0-232	4.5-6	66-87	PA15C3G4S032S	0.60
DN20	3/4"	15	32	5.4	0-14	0-203	4.5-6	66-87	PA20C3G5S032S	0.65

304 Stainless Steel Actuators with 316L Stainless Steel Bodies

Size	Port size	Orifice (mm)	Actuator (mm)	Kv (m ³ /h)	Operating Pressure Differential		Pilot Control Pressure Range		Model Number	Net Weight kgs
					Bar	PSI	Bar	PSI		
DN10	3/8"	13	32	4.7	0-16	0-232	4.5-6	66-87	PA10C3G3R032S	0.58
DN15	1/2"	13	32	4.7	0-16	0-232	4.5-6	66-87	PA15C3G4R032S	0.60
DN20	3/4"	15	32	5.4	0-14	0-203	4.5-6	66-87	PA20C3G5R032S	0.65

SERIES PA - COMPACT DESIGN NORMALLY CLOSED VALVES FLOW DIRECTION OVER SEAT Media Temperature -10~180°C

Model Numbers Shown are BSP threads

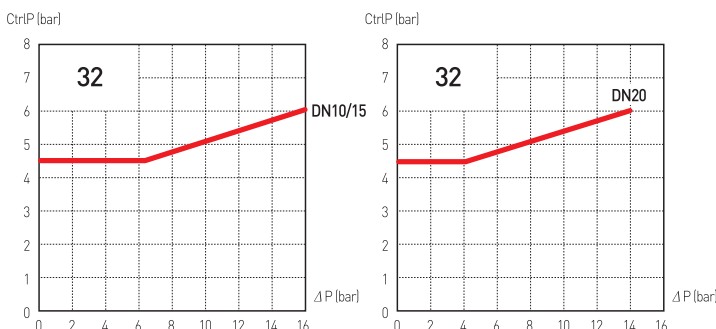
304 Stainless Steel Actuators with 304 Stainless Steel Bodies

Size	Port size	Orifice (mm)	Actuator (mm)	Kv (m ³ /h)	Operating Pressure Differential		Pilot Control Pressure Range		Model Number	Net Weight kgs
					Bar	PSI	Bar	PSI		
DN10	3/8"	13	32	4.7	0-16	0-232	4.5-6	66-87	PA10C1G3S032S	0.63
DN15	1/2"	13	32	4.7	0-16	0-232	4.5-6	66-87	PA15C1G4S032S	0.65
DN20	3/4"	15	32	5.4	0-14	0-203	4.5-6	66-87	PA20C1G5S032S	0.71

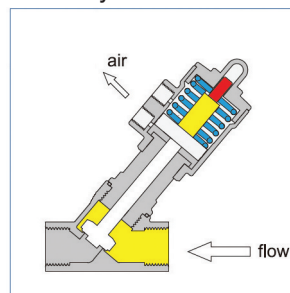
304 Stainless Steel Actuators with 316L Stainless Steel Bodies

Size	Port size	Orifice (mm)	Actuator (mm)	Kv (m ³ /h)	Operating Pressure Differential		Pilot Control Pressure Range		Model Number	Net Weight kgs
					Bar	PSI	Bar	PSI		
DN10	3/8"	13	32	4.7	0-16	0-232	4.5-6	66-87	PA10C1G3R032S	0.63
DN15	1/2"	13	32	4.7	0-16	0-232	4.5-6	66-87	PA15C1G4R032S	0.65
DN20	3/4"	15	32	5.4	0-14	0-203	4.5-6	66-87	PA20C1G5R032S	0.71

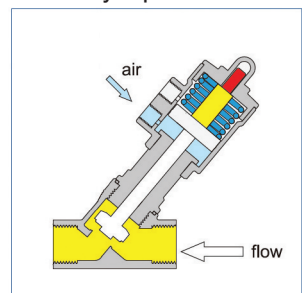
Control Pressure & Operating Pressure Charts Flow Charts



Normally Closed Valve



Normally Open Valve



SERIES PA - COMPACT DESIGN NORMALLY CLOSED VALVES FLOW DIRECTION UNDER SEAT



Media Temperature -10~100°C
Model Numbers Shown are BSP threads



304 Stainless Steel Actuators with 304 Stainless Steel Bodies

Size	Port size	Orifice (mm)	Actuator (mm)	Kv (m ³ /h)	Operating Pressure Differential		Pilot Control Pressure Range		Model Number	Net Weight kgs
					Bar	PSI	Bar	PSI		
DN10	3/8"	13	32	4.7	0-6	0-87	5-6	73-87	PA10C4G3S032S	0.58
DN15	1/2"	13	32	4.7	0-6	0-87	5-6	73-87	PA15C4G4S032S	0.60
DN20	3/4"	15	32	5.4	0-4	0-58	5-6	73-87	PA20C4G5S032S	0.65

304 Stainless Steel Actuators with 316L Stainless Steel Bodies

Size	Port size	Orifice (mm)	Actuator (mm)	Kv (m ³ /h)	Operating Pressure Differential		Pilot Control Pressure Range		Model Number	Net Weight kgs
					Bar	PSI	Bar	PSI		
DN10	3/8"	13	32	4.7	0-6	0-87	5-6	73-87	PA10C4G3R032S	0.58
DN15	1/2"	13	32	4.7	0-6	0-87	5-6	73-87	PA15C4G4R032S	0.60
DN20	3/4"	15	32	5.4	0-4	0-58	5-6	73-87	PA20C4G5R032S	0.65

SERIES PA - COMPACT DESIGN NORMALLY CLOSED VALVES FLOW DIRECTION UNDER SEAT Media Temperature -10~180°C

Model Numbers Shown are BSP threads

304 Stainless Steel Actuators with 304 Stainless Steel Bodies

Size	Port size	Orifice (mm)	Actuator (mm)	Kv (m ³ /h)	Operating Pressure Differential		Pilot Control Pressure Range		Model Number	Net Weight kgs
					Bar	PSI	Bar	PSI		
DN10	3/8"	13	32	4.7	0-6	0-87	5-6	73-87	PA10C2G3S032S	0.63
DN15	1/2"	13	32	4.7	0-6	0-87	5-6	73-87	PA15C2G4S032S	0.65
DN20	3/4"	15	32	5.4	0-4	0-58	5-6	73-87	PA20C2G5S032S	0.71

304 Stainless Steel Actuators with 316L Stainless Steel Bodies

Size	Port size	Orifice (mm)	Actuator (mm)	Kv (m ³ /h)	Operating Pressure Differential		Pilot Control Pressure Range		Model Number	Net Weight kgs
					Bar	PSI	Bar	PSI		
DN10	3/8"	13	32	4.7	0-6	0-87	5-6	73-87	PA10C2G3R032S	0.63
DN15	1/2"	13	32	4.7	0-6	0-87	5-6	73-87	PA15C2G4R032S	0.65
DN20	3/4"	15	32	5.4	0-4	0-58	5-6	73-87	PA20C2G5R032S	0.71

For all Compact Design valves on pages 10-11 the following applies:

For NPT porting, change "G" to "N" in 7th position

To obtain Cv multiply Kv by 1.16

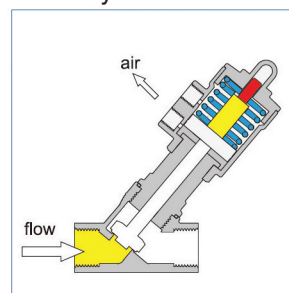
To obtain lbs., multiply kgs by 2.2

Control Pressure & Operating Pressure Charts

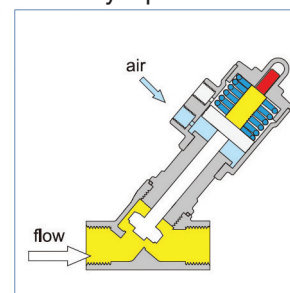
Charts do not apply for valves with flow direction under the seat. A minimum pressure as noted above is all that is required, up to the maximum listed.

Flow Charts

Normally Closed Valve



Normally Open Valve



SERIES PA - COMPACT DESIGN NORMALLY OPEN VALVES FLOW DIRECTION OVER SEAT

Media Temperature -10~100°C
Model Numbers Shown are BSP threads



304 Stainless Steel Actuators with 304 Stainless Steel Bodies

Size	Port size	Orifice (mm)	Actuator (mm)	Kv (m ³ /h)	Operating Pressure Differential		Pilot Control Pressure Range		Model Number	Net Weight kgs
					Bar	PSI	Bar	PSI		
DN10	3/8"	13	32	4.7	0-16	0-232	5-10	72.5-145	PA10J3G3S032S	0.58
DN15	1/2"	13	32	4.7	0-16	0-232	5-10	72.5-145	PA15J3G4S032S	0.6
DN20	3/4"	15	32	5.4	0-10	0-145	5-10	72.5-145	PA20J3G5S032S	0.65

304 Stainless Steel Actuators with 316L Stainless Steel Bodies

Size	Port size	Orifice (mm)	Actuator (mm)	Kv (m ³ /h)	Operating Pressure Differential		Pilot Control Pressure Range		Model Number	Net Weight kgs
					Bar	PSI	Bar	PSI		
DN10	3/8"	13	32	4.7	0-16	0-232	5-10	72.5-145	PA10J3G3R032S	0.58
DN15	1/2"	13	32	4.7	0-16	0-232	5-10	72.5-145	PA15J3G4R032S	0.60
DN20	3/4"	15	32	5.4	0-10	0-145	5-10	72.5-145	PA20J3G5R032S	0.65

SERIES PA - COMPACT DESIGN NORMALLY OPEN VALVES FLOW DIRECTION OVER SEAT

Media Temperature -10~180°C
Model Numbers Shown are BSP threads

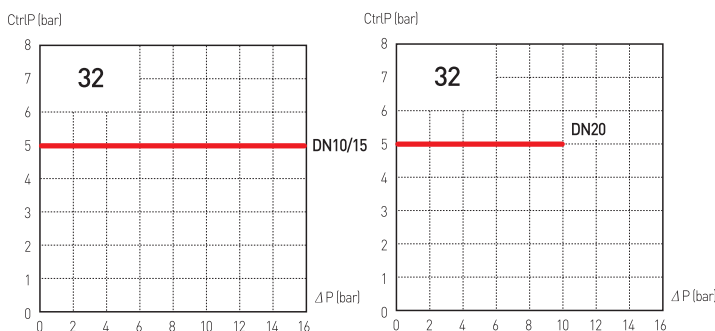
304 Stainless Steel Actuators with 304 Stainless Steel Bodies

Size	Port size	Orifice (mm)	Actuator (mm)	Kv (m ³ /h)	Operating Pressure Differential		Pilot Control Pressure Range		Model Number	Net Weight kgs
					Bar	PSI	Bar	PSI		
DN10	3/8"	13	32	4.7	0-16	0-232	5-10	72.5-145	PA10J1G3S032S	0.63
DN15	1/2"	13	32	4.7	0-16	0-232	5-10	72.5-145	PA15J1G4S032S	0.65
DN20	3/4"	15	32	5.4	0-10	0-145	5-10	72.5-145	PA20J1G5S032S	0.71

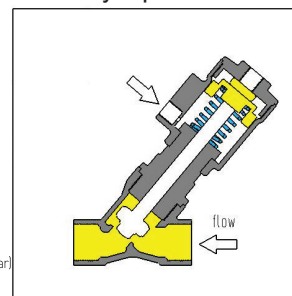
304 Stainless Steel Actuators with 316L Stainless Steel Bodies

Size	Port size	Orifice (mm)	Actuator (mm)	Kv (m ³ /h)	Operating Pressure Differential		Pilot Control Pressure Range		Model Number	Net Weight kgs
					Bar	PSI	Bar	PSI		
DN10	3/8"	13	32	4.7	0-16	0-232	5-10	72.5-145	PA10J1G3R032S	0.63
DN15	1/2"	13	32	4.7	0-16	0-232	5-10	72.5-145	PA15J1G4R032S	0.65
DN20	3/4"	15	32	5.4	0-10	0-145	5-10	72.5-145	PA20J1G5R032S	0.71

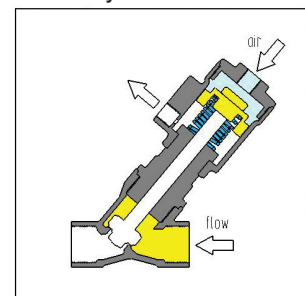
Control Pressure & Operating Pressure Charts Flow Charts



Normally Open Valve



Normally Closed Valve



SERIES PA - COMPACT DESIGN NORMALLY OPEN VALVES FLOW DIRECTION UNDER SEAT



Media Temperature -10~100°C
Model Numbers Shown are BSP threads

304 Stainless Steel Actuators with 304 Stainless Steel Bodies

Size	Port size	Orifice (mm)	Actuator (mm)	Kv (m ³ /h)	Operating Pressure Differential		Pilot Control Pressure Range		Model Number	Net Weight kgs
					Bar	PSI	Bar	PSI		
DN10	3/8"	13	32	4.7	0-6	0-87	4 -10	58-145	PA10J4G3S032S	0.58
DN15	1/2"	13	32	4.7	0-6	0-87	4 -10	58-145	PA15J4G4S032S	0.60
DN20	3/4"	15	32	5.4	0-4	0-87	4 -10	58-145	PA20J4G5S032S	0.65

304 Stainless Steel Actuators with 316L Stainless Steel Bodies

Size	Port size	Orifice (mm)	Actuator (mm)	Kv (m ³ /h)	Operating Pressure Differential		Pilot Control Pressure Range		Model Number	Net Weight kgs
					Bar	PSI	Bar	PSI		
DN10	3/8"	13	32	4.7	0-6	0-87	4 -10	58-145	PA10J4G3R032S	0.58
DN15	1/2"	13	32	4.7	0-6	0-87	4 -10	58-145	PA15J4G4R032S	0.60
DN20	3/4"	15	32	5.4	0-4	0-87	4 -10	58-145	PA20J4G5R032S	0.65

SERIES PA - COMPACT DESIGN NORMALLY OPEN VALVES FLOW DIRECTION UNDER SEAT Media Temperature -10~180°C

Model Numbers Shown are BSP threads

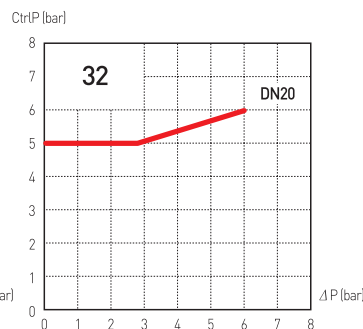
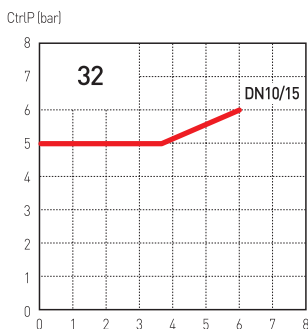
304 Stainless Steel Actuators with 304 Stainless Steel Bodies

Size	Port size	Orifice (mm)	Actuator (mm)	Kv (m ³ /h)	Operating Pressure Differential		Pilot Control Pressure Range		Model Number	Net Weight kgs
					Bar	PSI	Bar	PSI		
DN10	3/8"	13	32	4.7	0-6	0-87	4 -10	58-145	PA10J2G3S032S	0.63
DN15	1/2"	13	32	4.7	0-6	0-87	4 -10	58-145	PA15J2G4S032S	0.65
DN20	3/4"	15	32	5.4	0-4	0-87	4 -10	58-145	PA20J2G5S032S	0.71

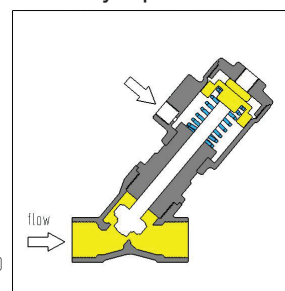
304 Stainless Steel Actuators with 316L Stainless Steel Bodies

Size	Port size	Orifice (mm)	Actuator (mm)	Kv (m ³ /h)	Operating Pressure Differential		Pilot Control Pressure Range		Model Number	Net Weight kgs
					Bar	PSI	Bar	PSI		
DN10	3/8"	13	32	4.7	0-6	0-87	4 -10	58-145	PA10J2G3R032S	0.63
DN15	1/2"	13	32	4.7	0-6	0-87	4 -10	58-145	PA15J2G4R032S	0.65
DN20	3/4"	15	32	5.4	0-4	0-87	4 -10	58-145	PA20J2G5R032S	0.71

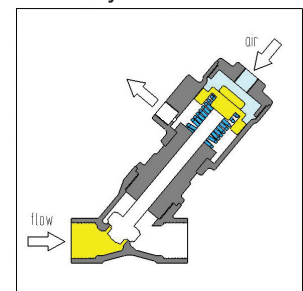
Control Pressure & Operating Pressure Charts Flow Charts



Normally Open Valve



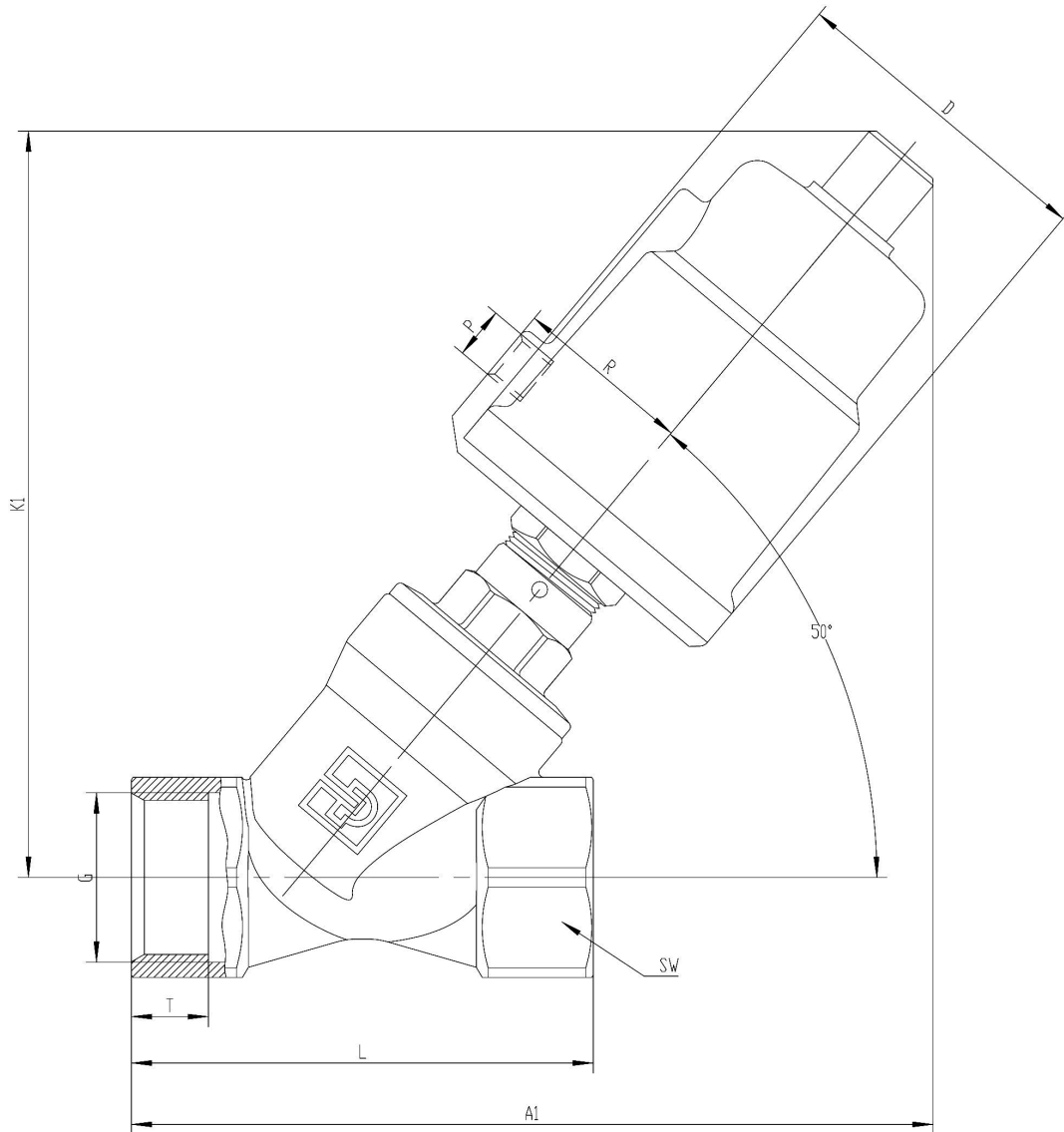
Normally Closed Valve



SERIES PA Drawings and Dimensions

Stainless Steel Actuators

Sizes 40, 50, 63, 80, 100 mm



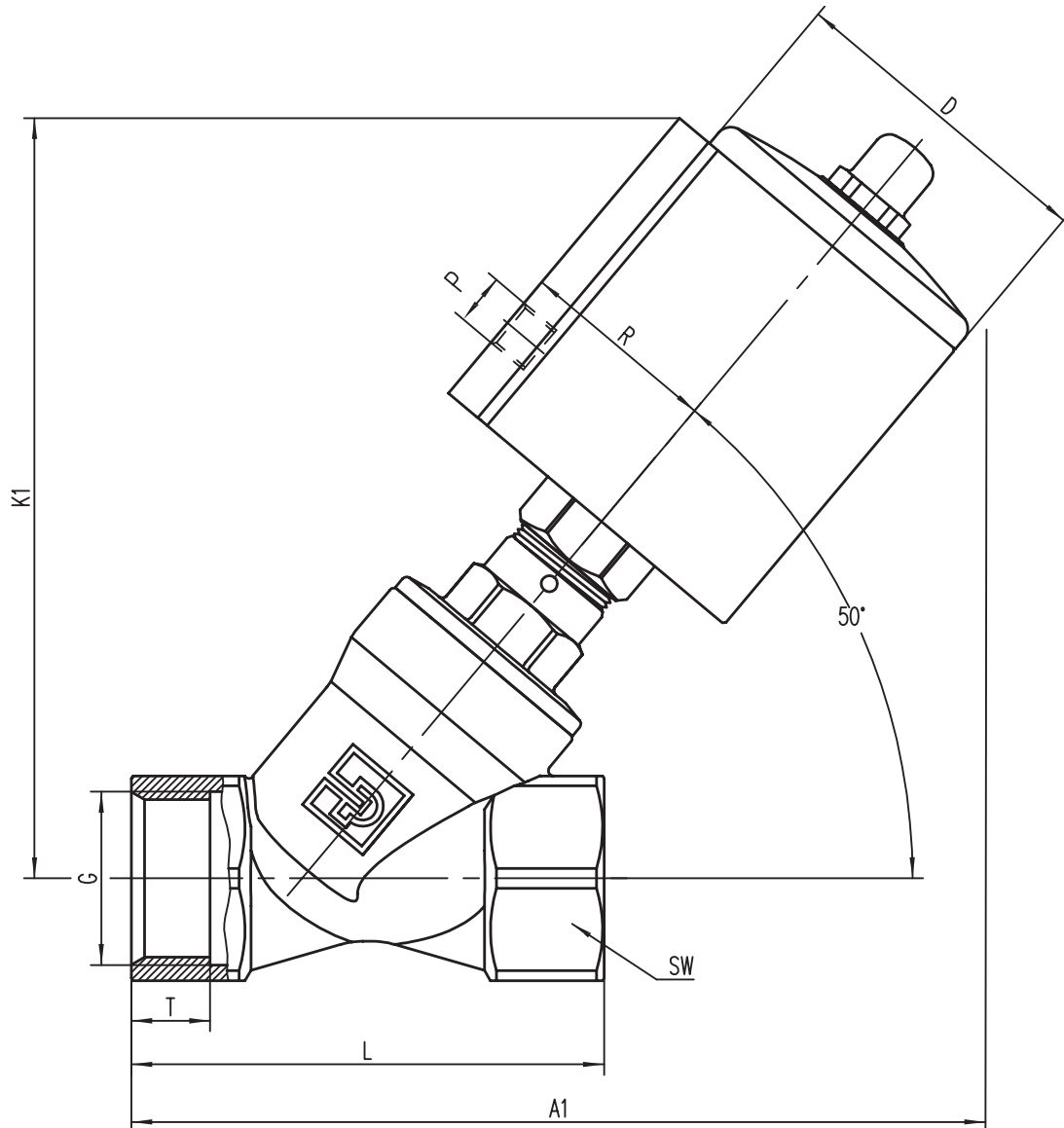
Type	Actuator	D	R	P	K1	A1	G	L	T	SW	
DN10	40	50.5	27	G1/8	116	121	G3/8	60	10	22	hexagon
	50	62	34	G1/8	130	133	G3/8	60	10	22	hexagon
DN15	40	50.5	27	G1/8	118	124	G1/2	65	11.5	25	hexagon
	50	62	34	G1/8	131	135	G1/2	65	11.5	25	hexagon
DN20	50	62	34	G1/8	134	141	G3/4	75	14	31	hexagon
DN25	50	62	34	G1/8	141	153	G1	90	15	39	hexagon
	63	77	41.5	G1/8	164	175	G1	90	15	39	hexagon
DN32	63	77	41.5	G1/8	170	188	G1-1/4	110	18	50	octagon
	80	98	52	G1/4	184	205	G1-1/4	110	18	50	octagon
	63	77	41.5	G1/8	181	201	G1-1/2	120	18	56	octagon
DN40	80	98	52	G1/4	195	217	G1-1/2	120	18	56	octagon
	100	121	63	G1/4	213	235	G1-1/2	120	18	56	octagon
	63	77	41.5	G1/8	189	216	G2	150	22	68	octagon
DN50	80	98	52	G1/4	203	233	G2	150	22	68	octagon
	100	121	63	G1/4	221	250	G2	150	22	68	octagon
	DN65	100	121	63	G1/4	248	285	G2-1/2	180	25	85

SERIES PA Drawings and Dimensions



Aluminum Actuators

Sizes 50, 63, 80, 100 mm

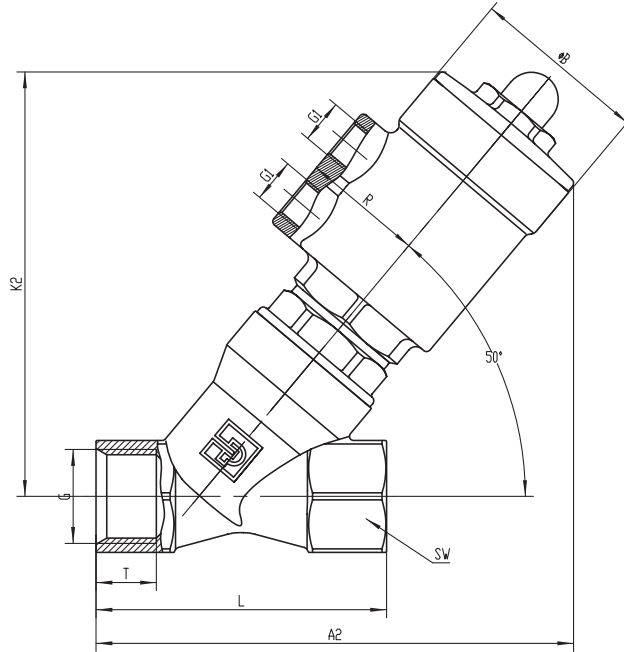


Type	Actuator	D	R	P	K1	A1	G	L	T	SW	
DN10	50	61	38	G1/8	132	141	G3/8	60	10	22	hexagon
DN15	50	61	38	G1/8	133	144	G1/2	65	11.5	25	hexagon
DN20	50	61	38	G1/8	136	150	G3/4	75	14	31	hexagon
DN25	50	61	38	G1/8	144	162	G1	90	15	39	hexagon
	63	75	45	G1/8	167	183	G1	90	15	39	hexagon
DN32	63	75	45	G1/8	173	196	G1-1/4	110	18	50	octagon
	80	94	54	G1/4	192	214	G1-1/4	110	18	50	octagon
DN40	63	75	45	G1/8	184	209	G1-1/2	120	18	56	octagon
	80	94	54	G1/4	203	226	G1-1/2	120	18	56	octagon
	100	115	64	G1/4	223	245	G1-1/2	120	18	56	octagon
DN50	63	75	45	G1/8	192	224	G2	150	22	68	octagon
	80	94	54	G1/4	211	242	G2	150	22	68	octagon
	100	115	64	G1/4	231	260	G2	150	22	68	octagon
DN65	100	115	64	G1/4	257	294	G2-1/2	180	25	85	octagon

SERIES PA Drawings and Dimensions

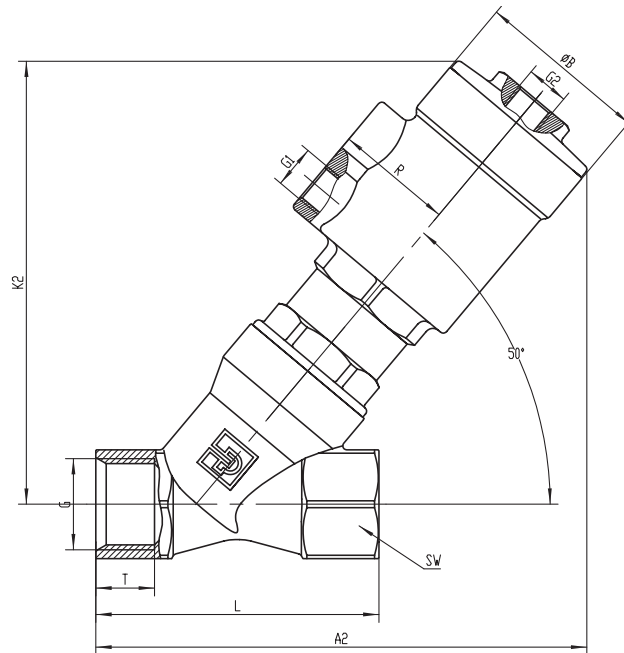
Stainless Steel Actuators

Sizes 32 mm



Normally Closed

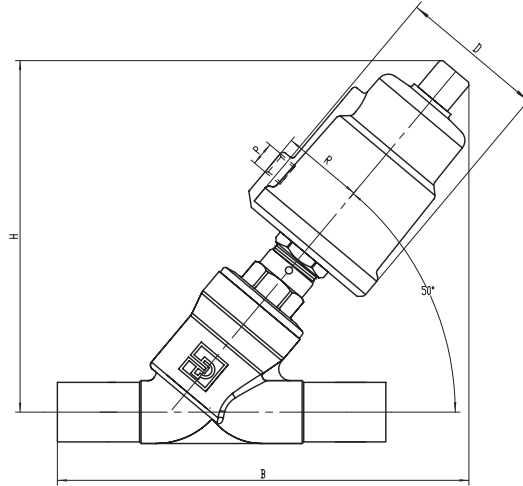
Type	Actuator	ØB	R	G1	K2		A2		G	L	T	SW	
					F32-H	F32-L	F32-H	F32-L					
DN10	32	39.6	27	G1/8	107	94	117	106	G3/8	60	10	22	hexagon
DN15	32	39.6	27	G1/8	109	96	119	108	G1/2	65	11.5	25	hexagon
DN20	32	39.6	27	G1/8	112	100	126	115	G3/4	75	14	31	hexagon



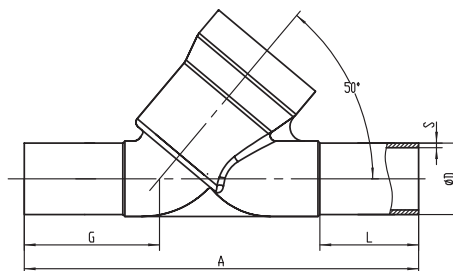
Normally Open

Type	Actuator	ØB	R	G1	G2	K2		A2		G	L	T	SW	
						F32-H	F32-L	F32-H	F32-L					
DN10	32	39.6	27	G1/8	G1/8	107	94	117	106	G3/8	60	10	22	hexagon
DN15	32	39.6	27	G1/8	G1/8	109	96	119	108	G1/2	65	11.5	25	hexagon
DN20	32	39.6	27	G1/8	G1/8	112	100	126	115	G3/4	75	14	31	hexagon

SERIES PA Drawings and Dimensions Weld Connections



Type	Actuator	D	R	P	ISO1127/4200		DIN11850.1/2/3		SMS3008/ASME BPE	
					H	B	H	B	H	B
DN10	40	50.5	27	G1/8	125	141	125	141	-	-
	50	62	34	G1/8	138	152	138	152	-	-
DN15	40	50.5	27	G1/8	125	141	125	141	125	141
	50	62	34	G1/8	139	153	139	153	139	153
DN20	50	62	34	G1/8	144	162	144	162	144	162
DN25	50	62	34	G1/8	151	172	151	172	151	172
	63	77	41.5	G1/8	172	190	172	190	174	192
DN32	63	77	41.5	G1/8	185	203	185	203	-	-
	80	98	52	G1/4	196	217	196	217	-	-
DN40	63	77	41.5	G1/8	196	216	196	216	194	214
	80	98	52	G1/4	207	230	207	230	205	229
	100	121	63	G1/4	222	248	222	248	221	247
DN50	63	77	41.5	G1/8	205	227	205	227	205	227
	80	98	52	G1/4	216	242	216	242	216	242
	100	121	63	G1/4	232	259	232	259	232	259
DN65	100	121	63	G1/4	257	288	257	288	257	288

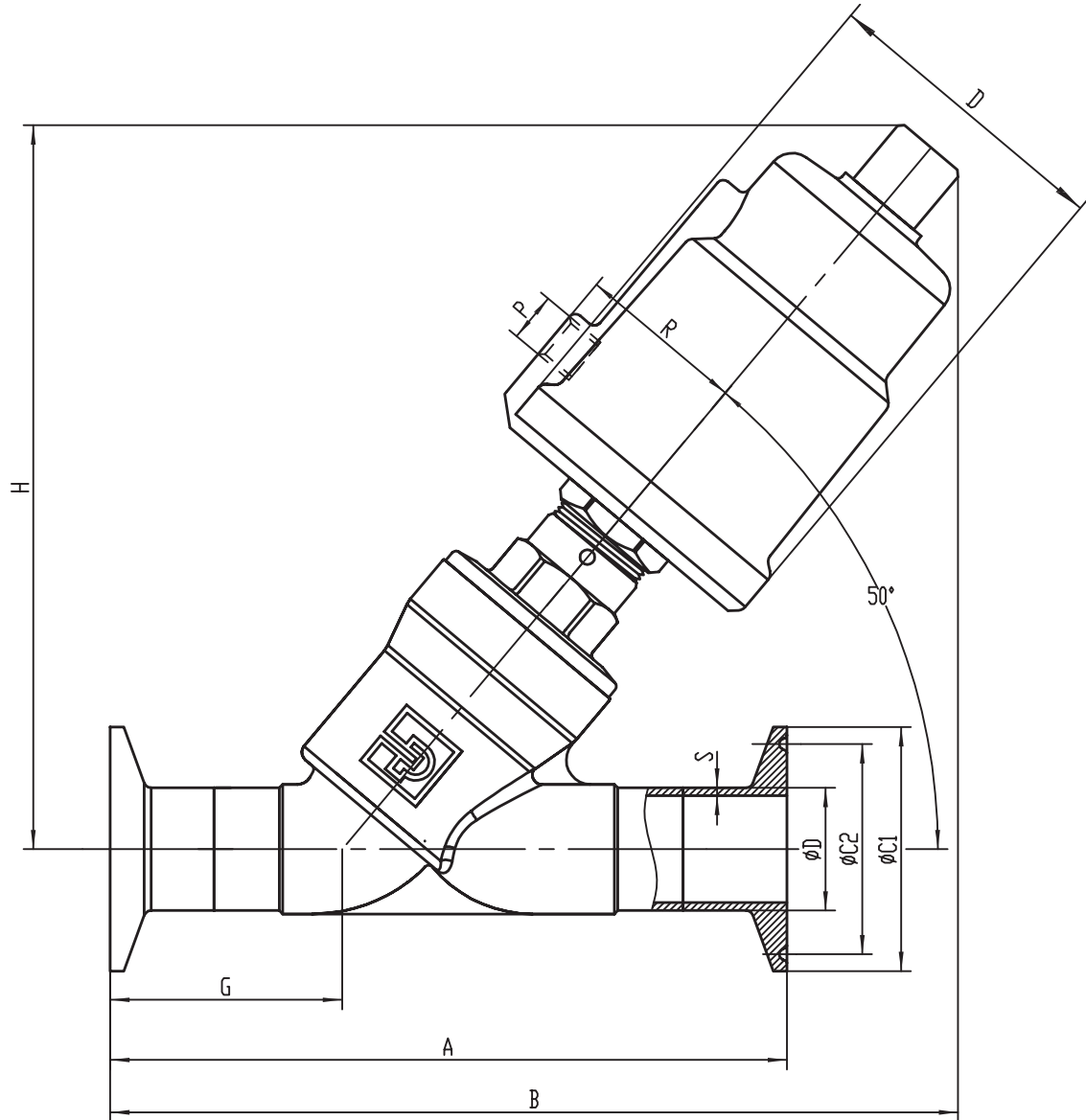


Body size-Welded (mm)

Type	A	G	L	ISO1127/4200		DIN11850.1		DIN11850.2		DIN11850.3		SMS 3008		ASME BPE	
				ØD	S	ØD	S	ØD	S	ØD	S	ØD	S		
DN10	100	34	20	17.2	1.6	12	1	13	1.5	14	2	-	-	-	-
DN15	100	34	20	21.3	1.6	18	1	19	1.5	20	2	12	1	12.7	1.65
DN20	115	39	25	26.9	1.6	22	1	23	1.5	24	2	18	1	19.05	1.65
DN25	130	43	26	33.7	2	28	1	29	1.5	30	2	25	1.2	25.4	1.65
DN32	145	45	26	42.4	2	34	1	35	1.5	36	2				
DN40	160	49	26	48.3	2	40	1	41	1.5	42	2	38	1.2	38.1	1.65
DN50	175	52	26	60.3	2	52	1	53	1.5	54	2	51	1.2	50.8	1.65
DN65	210	60	30	76.1	2	-	-	70	1.5	-	-	63.5	1.6	63.5	1.65

SERIES PA Drawings and Dimensions

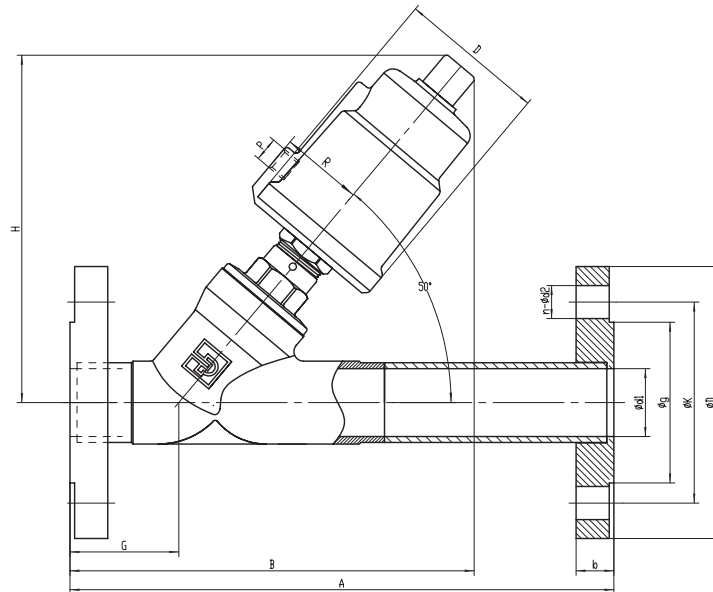
Clamp Connections



Type	Actuator	ASME BPE										
		mm										
		D	R	P	H	B	A	G	ØC1	ØC2	ØD	S
DN15	40	50.5	27	G1/8	119	136	101.6	34.8	25.2	20.2	12.7	1.65
	50	62	34	G1/8	132	148	101.6	34.8	25.2	20.2	12.7	1.65
DN20	50	62	34	G1/8	137	150	114.3	32.5	25.2	20.2	19.05	1.65
DN25	50	62	34	G1/8	146	160	114.3	35.15	50.5	43.5	25.4	1.65
	63	77	41.5	G1/8	169	182	114.3	35.15	50.5	43.5	25.4	1.65
DN40	63	77	41.5	G1/8	189	202	139.7	38.85	50.5	43.5	38.1	1.65
	80	98	52	G1/4	202	219	139.7	38.85	50.5	43.5	38.1	1.65
	100	121	63	G1/4	221	236	139.7	38.85	50.5	43.5	38.1	1.65
DN50	63	77	41.5	G1/8	200	216	158.8	43.9	64	56.5	50.8	1.65
	80	98	52	G1/4	213	233	158.8	43.9	64	56.5	50.8	1.65
	100	121	63	G1/4	231	251	158.8	43.9	64	56.5	50.8	1.65

SERIES PA Drawings and Dimensions

Flange Connections



Flange connection (ANSI Class 150lb)

Type	Actuator	D (mm)	R (mm)	P	H (mm)	A (mm)	B (mm)	G (mm)	ϕ d1 (mm)	n	ϕ d2 (mm)	ϕ g (mm)	ϕ K (mm)	ϕ D (mm)	b (mm)
DN15	40	50.5	27	G1/8	124	195	144	37	16.4	4	15.9	34.9	60.3	88.9	11.1
	50	62	34	G1/8	138	195	155	37	16.4	4	15.9	34.9	60.3	88.9	11.1
DN20	50	62	34	G1/8	144	218	165	42	22.6	4	15.9	42.9	69.8	98.4	12.7
	50	62	34	G1/8	149	241	173	46	28.7	4	15.9	50.8	79.4	107.9	14.3
DN25	63	77	41.5	G1/8	171	241	192	46	28.7	4	15.9	50.8	79.4	107.9	14.3
	63	77	41.5	G1/8	185	258	206	48	37	4	15.9	63.5	88.9	117.5	15.9
DN32	80	98	52	G1/4	196	258	220	48	37	4	15.9	63.5	88.9	117.5	15.9
	63	77	41.5	G1/8	196	283	218	52	42.6	4	15.9	73	98.4	127	17.5
DN40	80	98	52	G1/4	207	283	233	52	42.6	4	15.9	73	98.4	127	17.5
	100	121	63	G1/4	222	283	251	52	42.6	4	15.9	73	98.4	127	17.5
DN50	63	77	41.5	G1/8	204	300	228	55	53.4	4	19.05	92.1	120.6	152.4	19.1
	80	98	52	G1/4	215	300	243	55	53.4	4	19.05	92.1	120.6	152.4	19.1
DN50	100	121	63	G1/4	230	300	260	55	53.4	4	19.05	92.1	120.6	152.4	19.1

Flange connection (DIN 16bar)

DN10	40	50.5	27	G1/8	124	210	144	37	12.3	4	14	40	60	90	14
	50	62	34	G1/8	138	210	155	37	12.3	4	14	40	60	90	14
DN15	40	50.5	27	G1/8	124	210	144	37	16.4	4	14	45	65	95	14
	50	62	34	G1/8	138	210	155	37	16.4	4	14	45	65	95	14
DN20	50	62	34	G1/8	144	230	165	42	22.6	4	14	58	75	105	16
	50	62	34	G1/8	149	230	173	46	28.7	4	14	68	85	115	16
DN25	63	77	41.5	G1/8	171	230	192	46	28.7	4	14	68	85	115	16
	63	77	41.5	G1/8	185	260	206	48	37	4	18	78	100	140	16
DN32	80	98	52	G1/4	196	260	220	48	37	4	18	78	100	140	16
	63	77	41.5	G1/8	196	260	218	52	42.6	4	18	88	110	150	16
DN40	80	98	52	G1/4	207	260	233	52	42.6	4	18	88	110	150	16
	100	121	63	G1/4	222	260	251	52	42.6	4	18	88	110	150	16
DN50	63	77	41.5	G1/8	204	300	228	55	53.4	4	18	102	125	165	18
	80	98	52	G1/4	215	300	243	55	53.4	4	18	102	125	165	18
DN50	100	121	63	G1/4	230	300	260	55	53.4	4	18	102	125	165	18
	100	121	63	G1/4	257	340	291	63	68	4	18	122	145	185	18

Flange connection (JIS 10K)

DN15	40	50.5	27	G1/8	124	165	144	37	16.4	4	15	51	70	95	12
	50	62	34	G1/8	138	165	155	37	16.4	4	15	51	70	95	12
DN20	50	62	34	G1/8	144	184	165	42	22.6	4	15	56	75	100	14
	50	62	34	G1/8	149	196	173	46	28.7	4	19	67	90	125	14
DN25	63	77	41.5	G1/8	171	196	192	46	28.7	4	19	67	90	125	14
	63	77	41.5	G1/8	185	208	206	48	37	4	19	76	100	135	16
DN32	80	98	52	G1/4	196	208	220	48	37	4	19	76	100	135	16
	63	77	41.5	G1/8	196	235	218	52	42.6	4	19	81	105	140	16
DN40	80	98	52	G1/4	207	235	233	52	42.6	4	19	81	105	140	16
	100	121	63	G1/4	222	235	251	52	42.6	4	19	81	105	140	16
DN50	63	77	41.5	G1/8	204	247	228	55	53.4	4	19	96	120	155	16
	80	98	52	G1/4	215	247	243	55	53.4	4	19	96	120	155	16
DN50	100	121	63	G1/4	230	247	260	55	53.4	4	19	96	120	155	16

SERIES PA

Numbering System



Angle Body Valve Numbering System

PA	10	S1	G3	S	063S	—
----	----	----	----	---	------	---

0: Parker Actuator(PA)

1: Valve size		2: Valve Type/series		3: Body Thread Standard			4: Body Material		5: Actuator Description		6: Special requirement (Reserved Digit)
10	DN10	S1	NC, flow direction over seat	G3	3/8	BSP	S	304SS	Stainless Steel 304		
15	DN15	S2	NO, flow direction over seat	G4	1/2	BSP	R	316L SS	032S	32mm actuator	
20	DN20	S3	NO, flow direction under seat	G5	3/4	BSP	W	without body	040S	40mm actuator	
25	DN25	SA	NC, flow direction under seat (Anti-Water hammer)	G6	1	BSP			050S	50mm actuator	
32	DN32	D1	Double acting(without spring)	G7	1-1/4	BSP			063S	63mm actuator	
40	DN40	D2	Double acting(with spring)	G8	1-1/2	BSP			080S	80mm actuator	
50	DN50	D3	Double acting(special type)	G9	2	BSP			100S	100mm actuator	
65	DN65	C1	NC, Compact type, with flow direction	GT	2-1/2	BSP					
		C2	NC, Compact type, against flow direction	N3	3/8	NPT			Aluminum		
		C3	NC, Compact type, with flow direction (100°C)	N4	1/2	NPT			040A	40mm actuator	
		C4	NC, Compact type, against flow direction(100°C)	N5	3/4	NPT			050A	50mm actuator	
		J1	NO, Compact type, with flow direction	N6	1	NPT			063A	63mm actuator	
		J2	NO, Compact type, against flow direction	N7	1-1/4	NPT			080A	80mm actuator	
		J3	NO, Compact type, with flow direction(100°C)	N8	1-1/2	NPT			100A	100mm actuator	
		J4	NO, Compact type, against flow direction(100°C)	N9	2	NPT					
				NT	2-1/2	NPT					
				T1	1/8	BSPT					
				T2	1/4	BSPT					
				T3	3/8	BSPT					
				T4	1/2	BSPT					
				T5	3/4	BSPT					
				T6	1	BSPT					
				T7	1-1/4	BSPT					
				T8	1-1/2	BSPT					
				T9	2	BSPT					
				TT	2-1/2	BSPT					
				XX		None (without body)					
				WA		Weld type ASME BPE					
				WS		Weld type SMS 3008					
				W1		Weld type DIN 11850.1					
				W2		Weld type DIN 11850.2					
				W3		Weld type DIN 11850.3					
				WD		Weld type ISO 1127/47200					
				CA		CLAMP type ASME/BPE					
				FA		Flange type ANSI B16.5-2003	150Lb		RF		
				FD		Flange type DIN 2633	PN16		RF		
				FJ		Flange type JIS B2239-2004	16K		RF		

Note: "With Flow" is the same as flow over the seat.
 "Against Flow" is the same as flow under the seat.

3 Way Direct Acting Pilot Control Valves

Available as Separate Components



Features

- Compact Designs
- Brass or Stainless Steel body valves
- NC (normally closed) and NO (normally open) versions
- Broad offering of coils to meet World Wide requirements
- Available in BSP and NPT connections in 1/8" and 1/4" sizes

Representative Pictures



Banjo Valve- For Direct Mounting to the ABV



Banjo Valve



Banjo Valve Mounted to ABV

3 Way Direct Acting Pilot Control Valves

Banjo Valve



Features

Direct Mount to ABV pilot port-(must be BSP thread port)
 Standard Manual Operator
 Din Coil Standard, others available

Technical Specifications

Mechanical Characteristics

Valve Type
 3/2 normally closed solenoid valve

Materials

Anodized aluminum body,
 Stainless steel internals,
 FKM sealing material

Coil Enclosures

DIN, NEMA4 with cable gland connector, Class F Available hazardous Class H coil that meets FM /CSA approvals for Class 1, Div.1 Groups A,B,C,D and Class II, Div.2 Groups E,F,G. Meets EEx m T4 Zone 1.

Coil Wattage

4.5 to 5.0 watt depending on voltage

Porting

1/8" NPT or G1/8" pressure port. (reference valve number) Banjo bolt G1/8" or G1/4" male thread

Mounting

Any position

Operating Characteristics

- P minimum 0psid
- P maximum 150psi

Environmental Temp. Ranges:

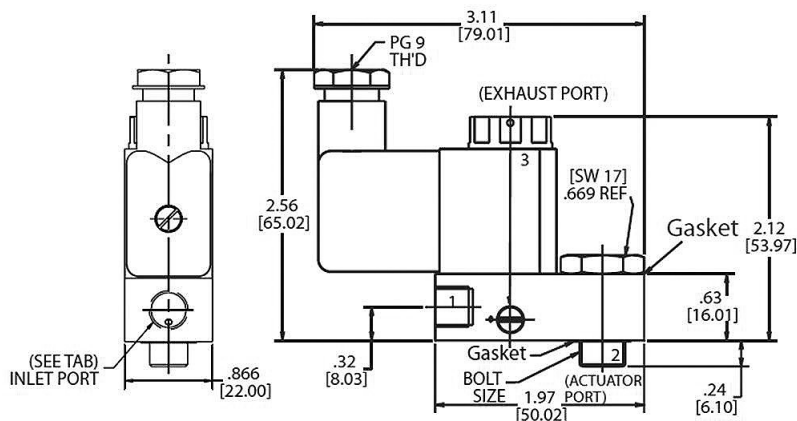
Fluid Temperature Range:
 *0°F(-18°C) to 185°F(85°C)

Ambient Temperature Range
 14°F(-10°C) to 122°F(50°C)

Compatible Fluids
 Dry or lubricated air

Agency Approvals/Compliance

Din Coils: UL, CSA
 Hazardous Coils: CSA, FM



Dimensions shown are in inches and millimeters.

Ordering Information

Part Number w/ DIN Coil & Connector	Actuator Enclosure Port 2	Valve Pressure Port 1
U131B01NDAx	G 1/8"	1/8" NPT
U131B02NDAx	G 1/4"	1/8" NPT
131B03NDAx	G 1/8"	G 1/8"
131B04NDAx	G 1/4"	G 1/8"

Voltage Code for Din Coil

A=12VDC B=24VDC E=24/60 F=120/60, 110/50 G=240/60, 220/50

Replace "x" in the Part number with one of the above Voltage Din Coil Codes.

Sales Offices Worldwide

Europe, Middle East, Africa

AE - United Arab Emirates, Dubai
Tel: +971 4 8127100
parker.me@parker.com

AT - Austria, Wiener Neustadt
Tel: +43 (0)2622 23501-0
parker.austria@parker.com

AT - Eastern Europe, Wiener Neustadt
Tel: +43 (0)2622 23501 900
parker.easteurope@parker.com

AZ - Azerbaijan, Baku
Tel: +994 50 2233 458
parker.azerbaijan@parker.com

BE/LU - Belgium, Nivelles
Tel: +32 (0)67 280 900
parker.belgium@parker.com

BY - Belarus, Minsk
Tel: +375 17 209 9399
parker.belarus@parker.com

CH - Switzerland, Etoy
Tel: +41 (0) 21 821 87 00
parker.switzerland@parker.com

CZ - Czech Republic, Klecany
Tel: +420 284 083 111
parker.czechrepublic@parker.com

DE - Germany, Kaarst
Tel: +49 (0)2131 4016 0
parker.germany@parker.com

DK - Denmark, Ballerup
Tel: +45 43 56 04 00
parker.denmark@parker.com

ES - Spain, Madrid
Tel: +34 902 330 001
parker.spain@parker.com

FI - Finland, Vantaa
Tel: +358 (0)20 753 2500
parker.finland@parker.com

FR - France, Contamine s/Arve
Tel: +33 (0)4 50 25 80 25
parker.france@parker.com

GR - Greece, Athens
Tel: +30 210 933 6450
parker.greece@parker.com

HU - Hungary, Budapest
Tel: +36 1 220 4155
parker.hungary@parker.com

IE - Ireland, Dublin
Tel: +353 (0)1 466 6370
parker.ireland@parker.com

IT - Italy, Corsico (MI)
Tel: +39 02 45 19 21
parker.italy@parker.com

KZ - Kazakhstan, Almaty
Tel: +7 7272 505 800
parker.easteurope@parker.com

NL - The Netherlands, Oldenzaal
Tel: +31 (0)541 585 000
parker.nl@parker.com

NO - Norway, Asker
Tel: +47 66 75 34 00
parker.norway@parker.com

PL - Poland, Warsaw
Tel: +48 (0)22 573 24 00
parker.poland@parker.com

PT - Portugal, Leca da Palmeira
Tel: +351 22 999 7360
parker.portugal@parker.com

RO - Romania, Bucharest
Tel: +40 21 252 1382
parker.romania@parker.com

RU - Russia, Moscow
Tel: +7 495 645-2156
parker.russia@parker.com

SE - Sweden, Spånga
Tel: +46 (0)8 59 79 50 00
parker.sweden@parker.com

SK - Slovakia, Banská Bystrica
Tel: +421 484 162 252
parker.slovakia@parker.com

SL - Slovenia, Novo Mesto
Tel: +386 7 337 6650
parker.slovenia@parker.com

TR - Turkey, Istanbul
Tel: +90 216 4997081
parker.turkey@parker.com

UA - Ukraine, Kiev
Tel: +380 44 494 2731
parker.ukraine@parker.com

UK - United Kingdom, Warwick
Tel: +44 (0)1926 317 878
parker.uk@parker.com

ZA - South Africa, Kempton Park
Tel: +27 (0)11 961 0700
parker.southafrica@parker.com

North America

CA - Canada, Milton, Ontario
Tel: +1 905 693 3000

US - USA, New Britain, CT
Tel: +1 860 827 2300

Asia Pacific

AU - Australia, Castle Hill
Tel: +61 (0)2-9634 7777

CN - China, Shanghai
Tel: +86 21 2899 5000

HK - Hong Kong
Tel: +852 2428 8008

IN - India, Mumbai
Tel: +91 22 6513 7081-85

JP - Japan, Tokyo
Tel: +81 (0)3 6408 3901

KR - South Korea, Hwaseong
Tel: +82 31 379 2234

MY - Malaysia, Shah Alam
Tel: +60 3 7849 0800

NZ - New Zealand, Mt Wellington
Tel: +64 9 574 1744

SG - Singapore
Tel: +65 6887 6300

TH - Thailand, Bangkok
Tel: +662 186 7000 99

TW - Taiwan, Taipei
Tel: +886 2 2298 8987

South America

AR - Argentina, Buenos Aires
Tel: +54 3327 44 4129

BR - Brazil, Sao Jose dos Campos
Tel: +55 800 727 5374

CL - Chile, Santiago
Tel: +56 2 623 1216

MX - Mexico, Apodaca
Tel: +52 81 8156 6000

VE - Venezuela, Caracas
Tel: +58 212 238 5422

